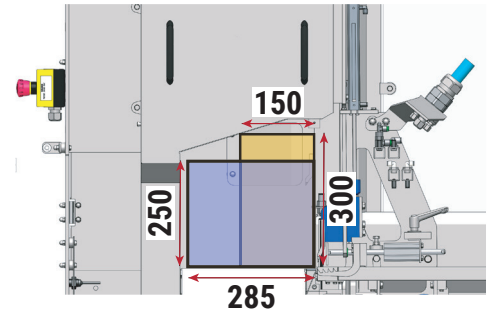
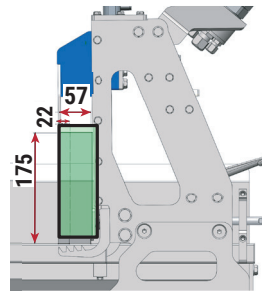


SHEET CUTTING MACHINES (1)

The values presented may vary depending on the product to be cut

■ SRA 3.0

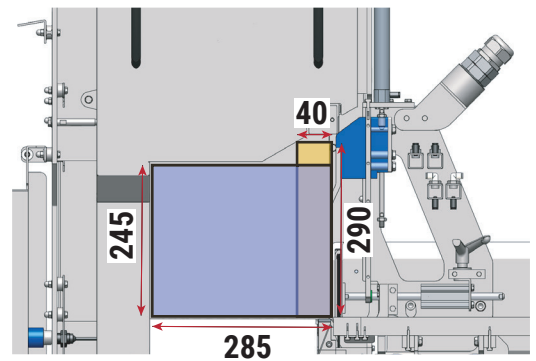
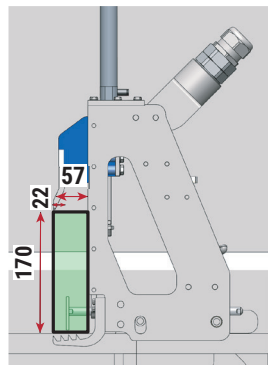


Dimensions en mm

Product

- ▶ Clamping height range 15-175 mm
- ▶ Min/max clamping distance 22 / 57 mm
- ▶ Maximum height 300 / 250 mm
- ▶ Width range 10-150 / 10-285 mm
- ▶ Product length 1000 mm
- ▶ Product width 650 mm

■ SRA-COMPACT



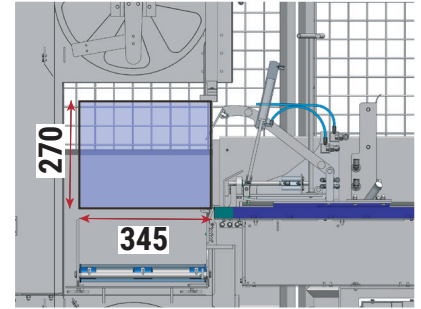
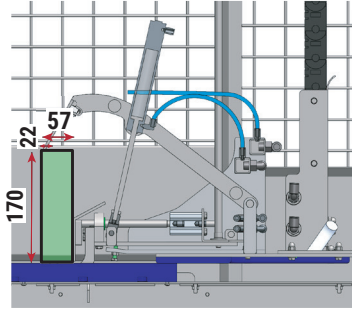
Product

- ▶ Clamping height range 15-170 mm
- ▶ Min/max clamping distance 22 / 57 mm
- ▶ Maximum height 290 / 245 mm
- ▶ Width range 10-40 / 10-285 mm
- ▶ Product length 700 mm
- ▶ Product width 450 mm

SHEET CUTTING MACHINES (2)

Dimensions en mm

■ SRA1A/B



Product

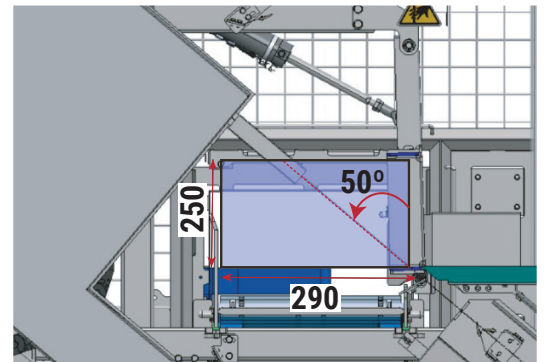
- ▶ Clamping height range 15-170 mm
- ▶ Min/max clamping distance 22 / 57 mm
- ▶ Maximum height 270 mm
- ▶ Width range 10-345 mm
- ▶ Product length 1000 / 1350 (F) mm
- ▶ Product width 650 mm

■ SRA2A/B

Product

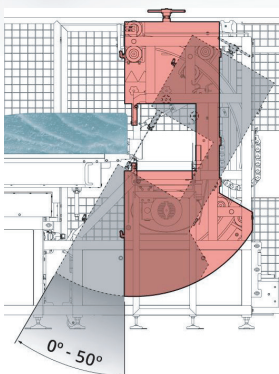
- ▶ Product length 1000 / 1350 (F) mm
- ▶ Product width 875 - 2 x 400 mm

■ SRA1A/B-D



Product

- ▶ Clamping height range 15-170 mm
- ▶ Min/max clamping distance 22 / 57 mm
- ▶ Maximum height 250 mm
- ▶ Width range 10-290 mm
- ▶ Cutting angle 50 °
- ▶ Product length 1000 mm
- ▶ Product width 650 mm

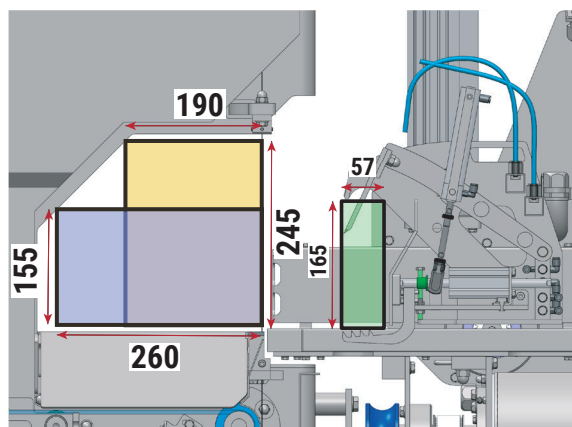
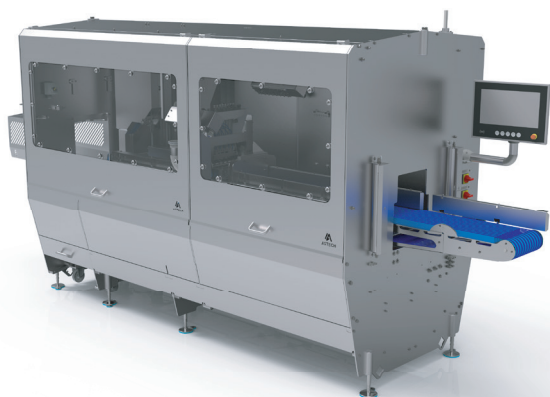


SHEET CUTTING MACHINES (3)

Dimensions en mm

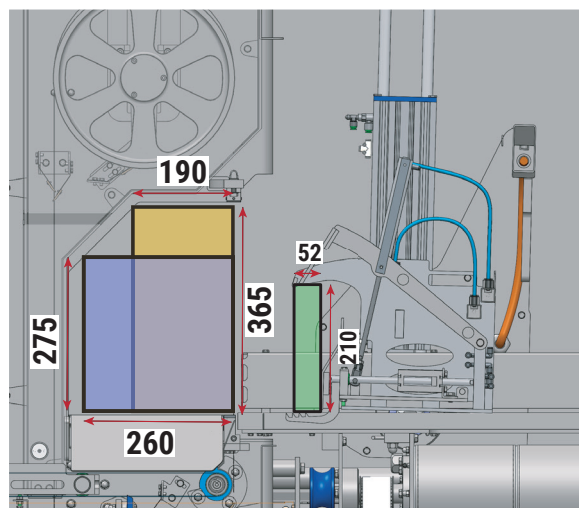
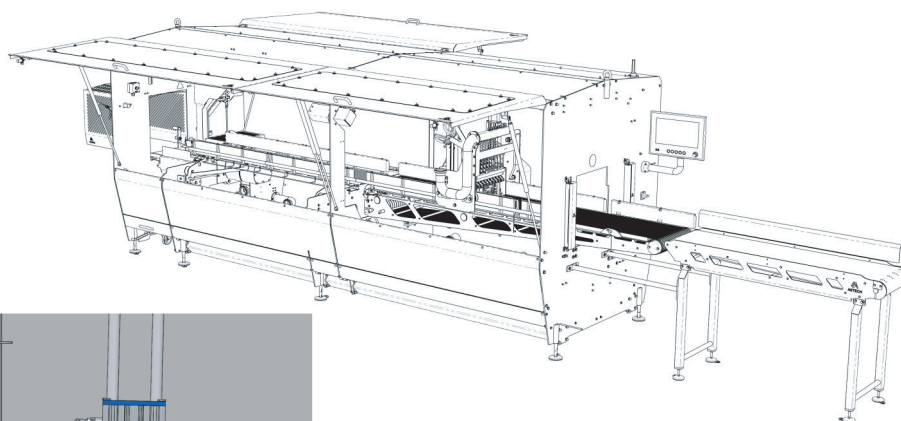
- **SRA2A/B-D**
 - ▶ **Product**
 - ▶ Product length 1000 / 1350 (F) mm
 - ▶ Product width 850 - 2 x 400 mm

- **PW-SAW**



- ▶ **Product**
- ▶ Clamping height range 15-165 mm
- ▶ Min/max clamping distance 22 / 57 mm
- ▶ Maximum height 245 / 155 mm
- ▶ Width range 10-190 / 10-260 mm
- ▶ Load dimensions 250 x 250 x 700 mm

- **PW-SAW MAX**

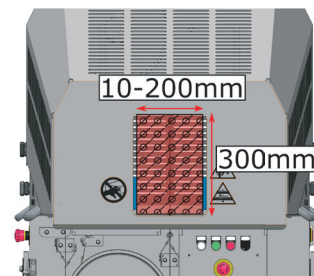
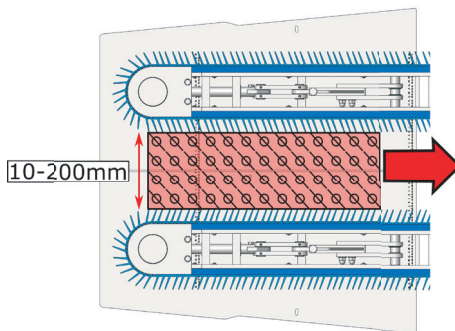


- ▶ **Product**
- ▶ Clamping height range 15-210 mm
- ▶ Min/max clamping distance 22 / 52 mm
- ▶ Maximum height 365 / 275 mm
- ▶ Width range 10-190 / 10-260 mm
- ▶ Load dimensions 400 x 350 x 1250 mm

SHEET CUTTING MACHINES (4)

Dimensions en mm

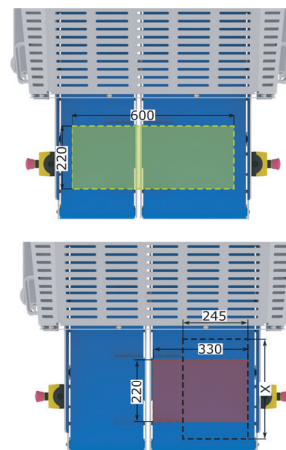
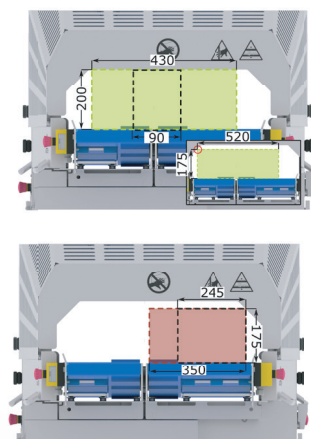
■ CC2



Product

- ▶ Width range 10-200 mm
- ▶ Load dimensions 300 mm

■ CC2-H

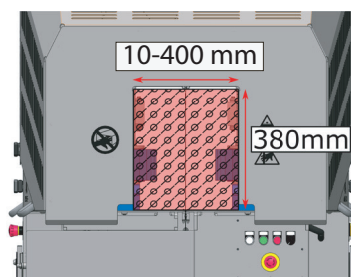
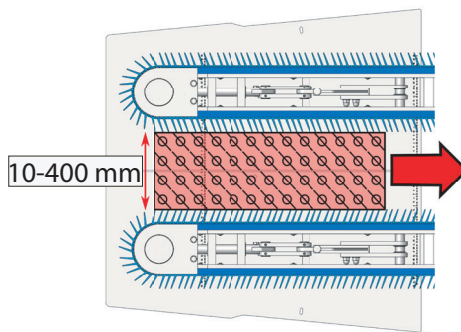
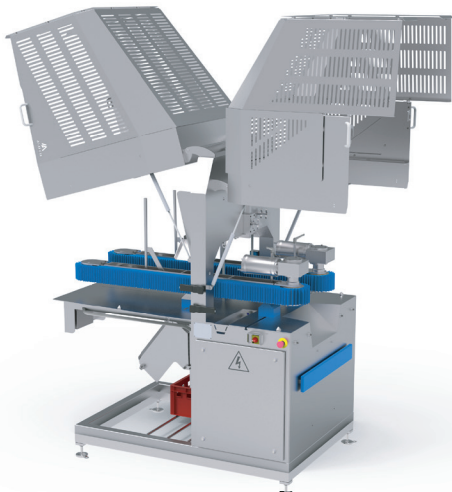


Cutting line

Free passage line

Range of width	90-430 mm (centered)	< 245 mm
Maximum	600 mm (asymmetrical cut)	330 x 220 mm
Maximum height	175-200 mm	

■ CC2-L



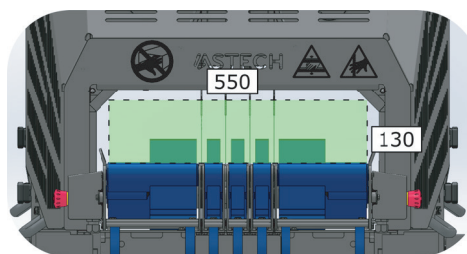
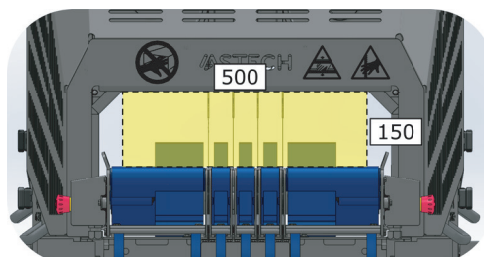
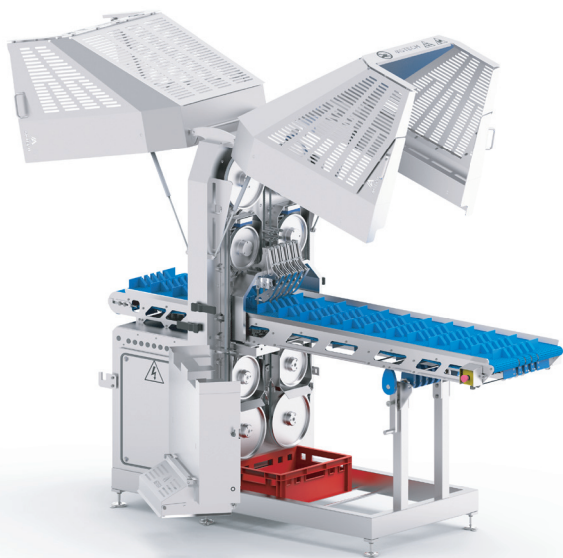
Product

- ▶ Width range 10-400 mm
- ▶ Load dimensions 380 mm

SHEET CUTTING MACHINES (5)

Dimensions en mm

■ **CC5-H**



Producto

- ▶ Maximum width 550 mm
- ▶ Maximum height 150 mm
- ▶ Intermediate cut 50 mm

